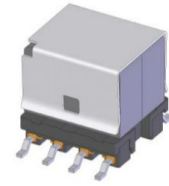
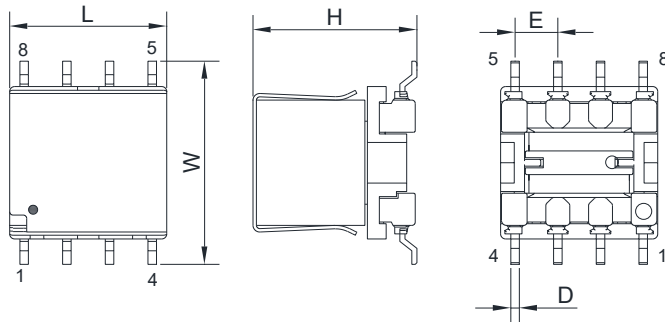


Product Outline

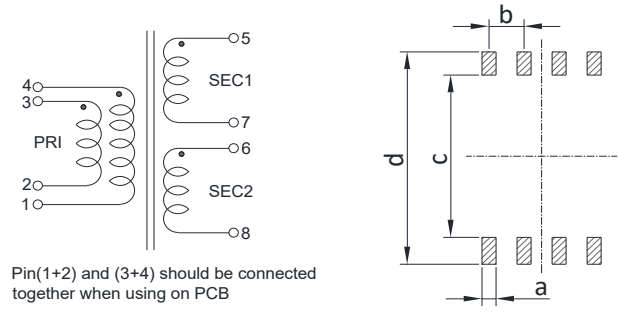
- High reliability DC/DC converter transformers.
- Ideally used in Electric compressor for Car Air-conditioner, Converter on ECU, BMS, LED head light driving, IGBT and other electronic devices.
- Operating temperature range(Including self temperature rise):-40°C to +125°C.
- Custom design is also available.
- RoHS Compliant.



Dimensions



Schematics Recommended Land Patterns



Unit: mm

| Type | L | W | H | D | E | a | b | c | d | Packaging (pcs/reel) |
|---------|---------|---------|-----------|-----|-----|-----|-----|-----|------|----------------------|
| TEP0709 | 9.2±0.5 | 9.0±0.5 | 10.0 Max. | 0.5 | 2.5 | 1.1 | 2.5 | 8.5 | 13.0 | 300 |

Dimensions without tolerance are typical.

Electrical Characteristics(at 25°C)

| Part Number | Inductance(uH) 100kHz,0.1V | LK(uH) 100kHz,0.1V | Turns Ratio | Hi-Pot 0.5mA,60S | | |
|--------------|-------------------------------|-----------------------|---------------|---------------------|-----------|-----------|
| | PRI | PRI (Short others) | PRI:SEC1:SEC2 | PRI-SEC | SEC1-SEC2 | COIL-CORE |
| TEP0709-A001 | 120±45% | 2.30 Max. | 1:2.2:1.2 | DC 2820V | DC 100V | DC 15000V |