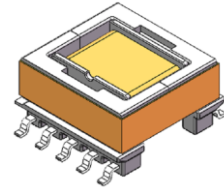
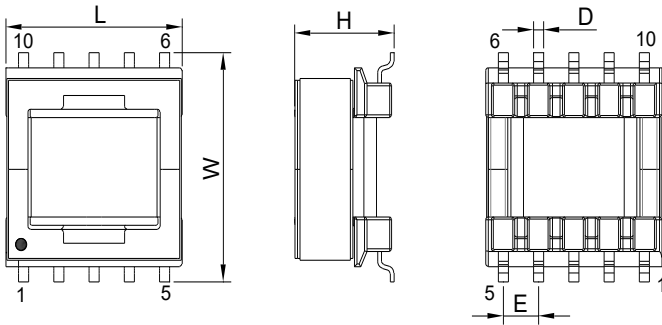


### Product Outline

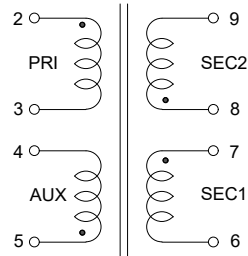
- High reliability DC/DC converter transformer.
- Ideally used in Electric compressor for Car Air-conditioner, Converter on ECU, BMS, LED head light driving, IGBT and other electronic devices.
- Operating temperature range(Including self temperature rise):-40°C to +125°C.
- Custom design is also available.
- RoHS Compliant.



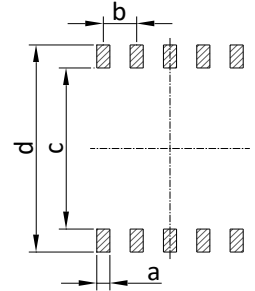
### Dimensions



### Schematics



### Recommended Land Patterns



Unit: mm

Type	L	W	H	D	E	a	b	c	d	Packaging (pcs/reel)
TEFD1409	14.5 Max.	17.1 Max.	9.0 Max.	0.8	2.8	1.1	2.8	14.0	18.0	250

Dimensions without tolerance are typical.

### Electrical Characteristics(at 25°C)

Part Number	Inductance(uH) 100kHz,1V	LK(uH) 100kHz,1V	DCR(mΩ)	Turns Ratio	Hi-Pot 50/60Hz,1mA,60S	
	PRI	PRI(Short others)	PRI	PRI:AUX:SEC1:SEC2	PRI,AUX-SEC	COIL-CORE
TEFD1409-A001	40.0±15%	0.9 Max.	360 Max.	1:1:1.23:0.73	AC 2400V	AC 1500V