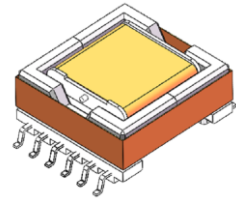
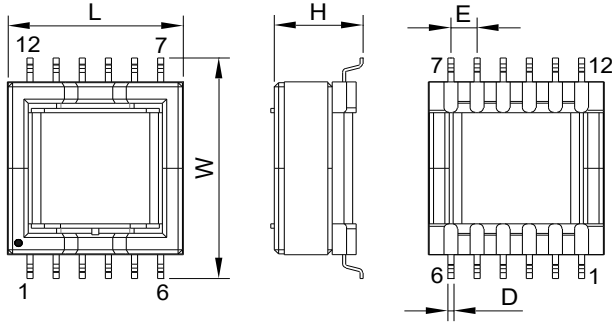


Product Outline

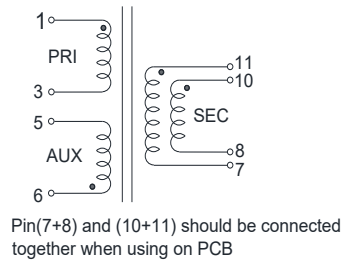
- High reliability DC/DC converter transformer.
- Ideally used in Electric compressor for Car Air-conditioner, Converter on ECU, BMS, LED head light driving, IGBT and other electronic devices.
- Operating temperature range(Including self temperature rise):-40°C to +125°C.
- Custom design is also available.
- RoHS Compliant.



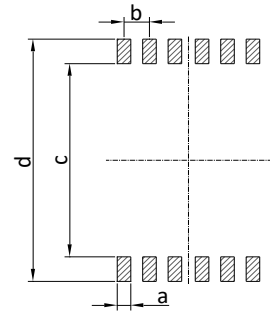
Dimensions



Schematics



Recommended Land Patterns



Unit: mm

Type	L	W	H	D	E	a	b	c	d	Packaging (pcs/reel)
TEFD2011	21.0 Max.	29.2 Max.	11.5 Max.	0.7	3.0	1.6	3.0	23.6	29.6	100

Dimensions without tolerance are typical.

Electrical Characteristics(at 25°C)

Part Number	Inductance(uH) 100kHz,0.1V	LK(uH) 100kHz,0.1V	DCR(mΩ)	Turns Ratio	Hi-Pot 50/60Hz 1mA,1S	
	PRI	PRI (Short others)	PRI	PRI:AUX:SEC	PRI,AUX-SEC	COIL-CORE
TEFD2011-A001	5.5±10%	0.25 Max.	25 Max.	1:0.833:2.333	AC 3000V	AC 1000V