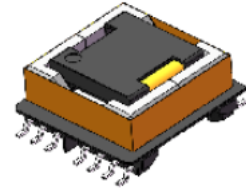
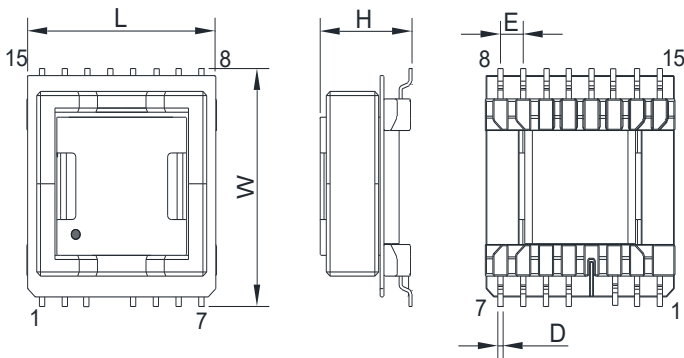


Product Outline

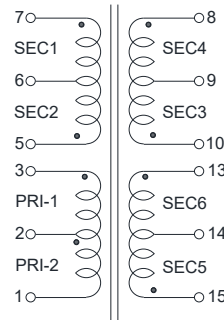
- High reliability DC/DC converter transformer.
- Ideally used in Electric compressor for Car Air-conditioner, Converter on ECU, BMS, LED head light driving, IGBT and other electronic devices.
- Operating temperature range(Including self temperature rise):-40°C to +125°C.
- Custom design is also available.
- RoHS Compliant.



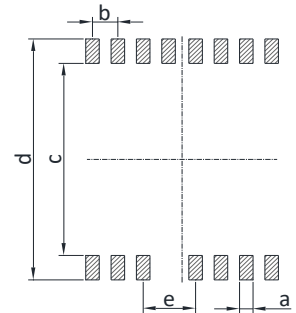
Dimensions



Schematics



Recommended Land Patterns



Unit: mm

Type	L	W	H	D	E	a	b	c	d	e	Packaging (pcs/reel)
TEFD2212	25.0±0.5	28.6±1.0	13.0 Max.	0.7	3.0	1.6	3.0	23.6	29.6	6.0	100

Dimensions without tolerance are typical.

Electrical Characteristics(at 25°C)

Part Number	Inductance(uH) 100kHz, 1V	LK(uH) 100kHz, 1V	DCR (mΩ)	Turns Ratio	Hi-Pot 50/60Hz, 1mA, 60S		
	PRI	PRI (Short others)	PRI	PRI-1:PRI-2:SEC1:SEC2: SEC3:SEC4:SEC5:SEC6	PRI-SEC	SEC1,SEC2-SEC3, SEC4-SEC5,SEC6	COIL-CORE
TEFD2212-A001	260±45%	1.5 Max.	220 Max.	1:1:1.5:0.714:1.5:0.714:1.5:0.714	AC 2500V	AC 1500V	AC 1500V