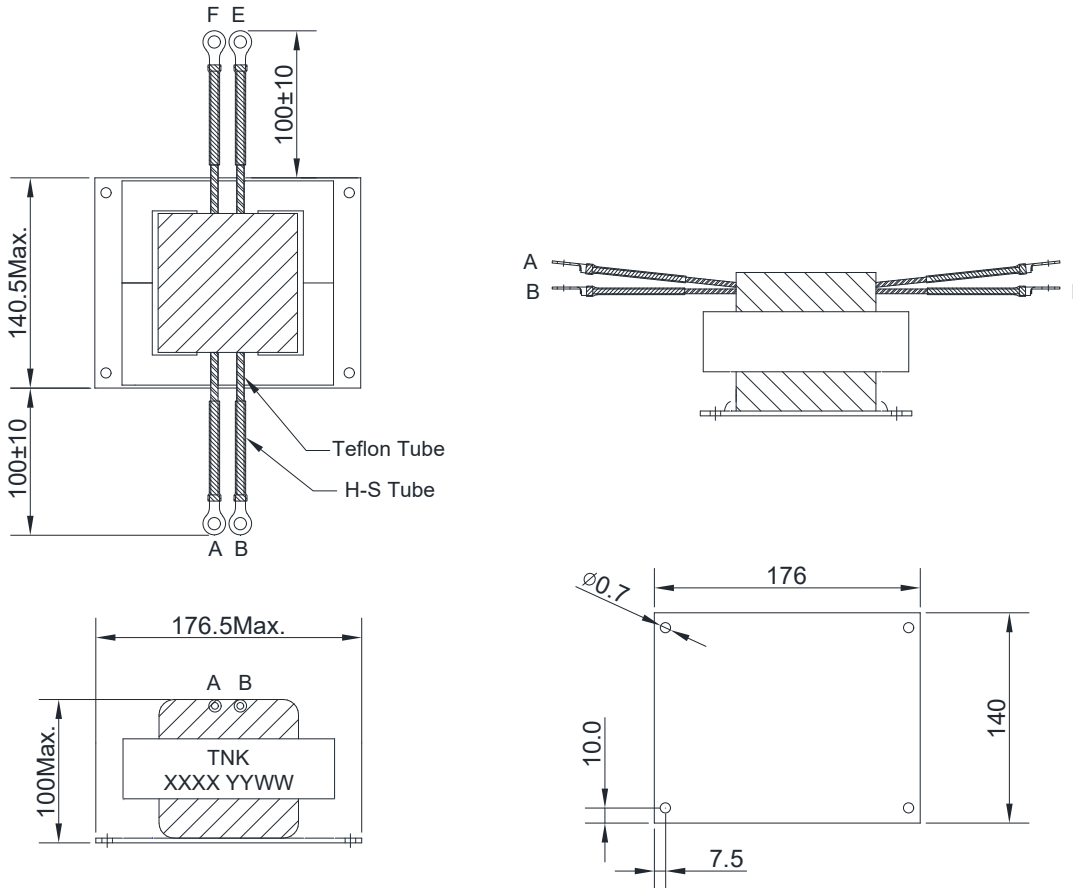


## Product Outline

- DC/DC converter transformer.
- Ideally used in Electric Vehicle Charging Station.
- Custom design is also available.
- RoHS Compliant.
- Operating temperature range(Including self temperature rise):-40°C to +105°C.

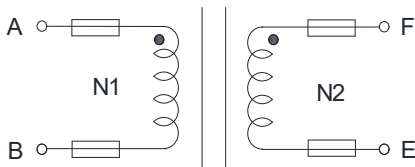


## Dimensions (Unit: mm)



Dimensions without tolerance are typical.

## Schematics



### Customized Product

## Electrical Characteristics(at 25°C)

Part Number	Inductance(uH) 60kHz,1V DC=0A	Inductance(uH) 60kHz,1V DC=110A	Turns Ratio	Hi-Pot 50/60Hz, 5mA,3S		Rated current
	(A-B)	(A-B)	(A-B):(E-F)	(A-B)-(E-F)	COIL-CORE	(E-F)
DEEH140100-C001	500 Min.	10.0 Min.	11:7	AC 5500V	AC 2400V	70A Typ.

All specifications are subject to change without notice.