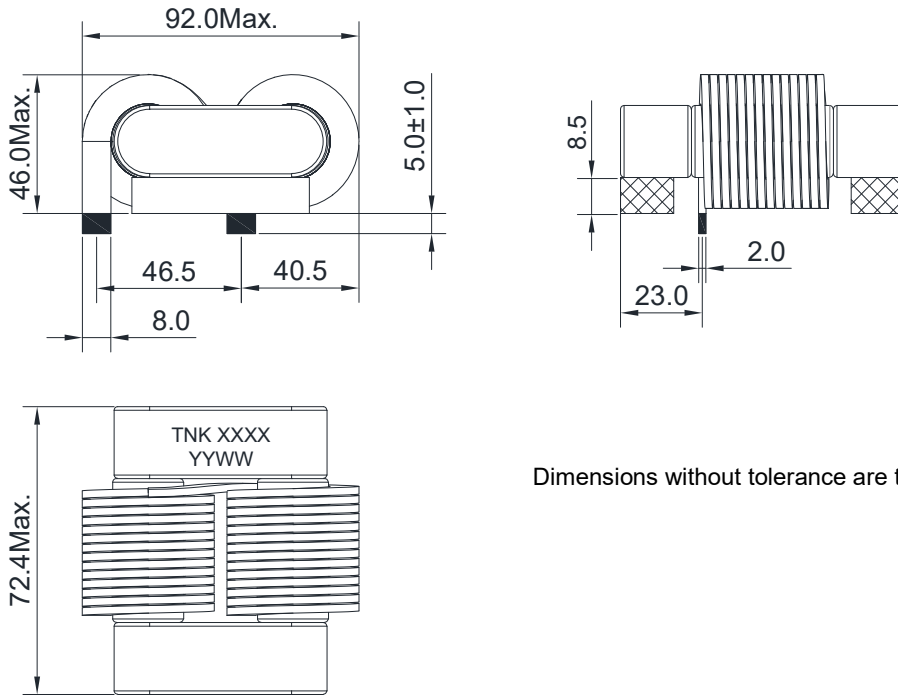


Product Outline

- Ideally used in Electric Vehicle Charging Station as DC/DC converter inductors.
- Operating temperature range(Including self temperature rise):-40°C to +105°C.
- Custom design is also available.
- RoHS Compliant.

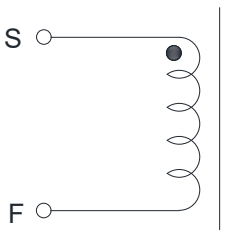


Dimensions (Unit: mm)



Dimensions without tolerance are typical.

Schematics



Customized Product

Electrical Characteristics(at 25°C)

Part Number	Inductance(uH) 10kHz,0.1V DC=0A	Inductance(uH) 10kHz,0.1V DC=110A	Rated current
	(S-F)	(S-F)	(S-F)
DUCL927246-I001	127.8±15%	45.0 Ref.	45A Typ.