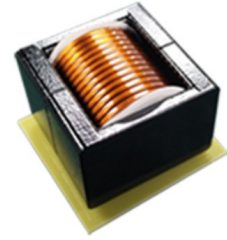
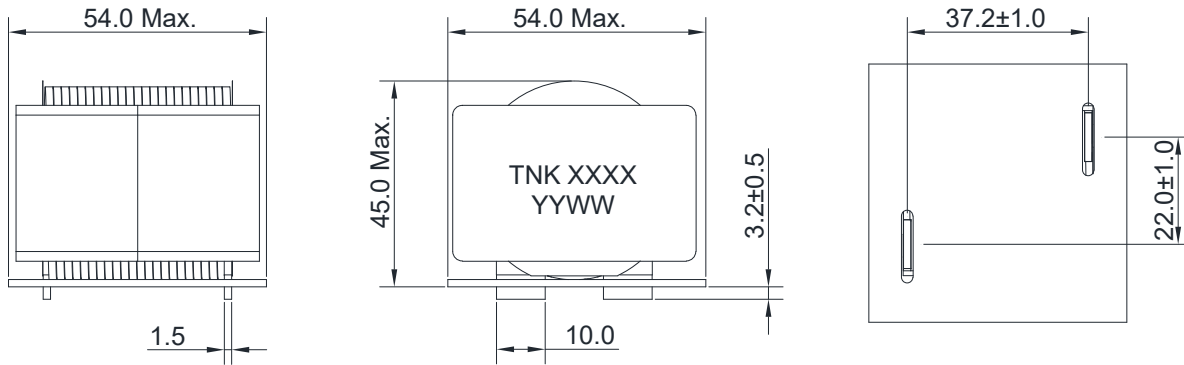


Product Outline

- Ideally used in Electric Vehicle Charging Station as DC/DC converter inductors.
- Operating temperature range(Including self temperature rise): -40°C to +105°C.
- Custom design is also available.
- RoHS Compliant.

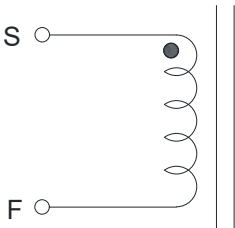


Dimensions (Unit: mm)

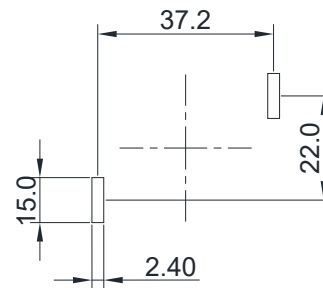


Dimensions without tolerance are typical.

Schematics



Recommended Land Patterns



Electrical Characteristics(at 25°C)

Part Number	Inductance(uH) 10kHz,0.1V DC=0A	Inductance(uH) 10kHz,0.1V DC=110A	Rated current
	(S-F)	(S-F)	(S-F)
DEQ5042-I001	40.0±15%	10.0 Ref.	45A Typ.

Customized Product