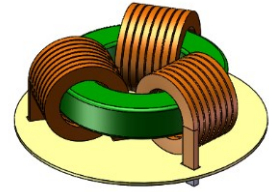
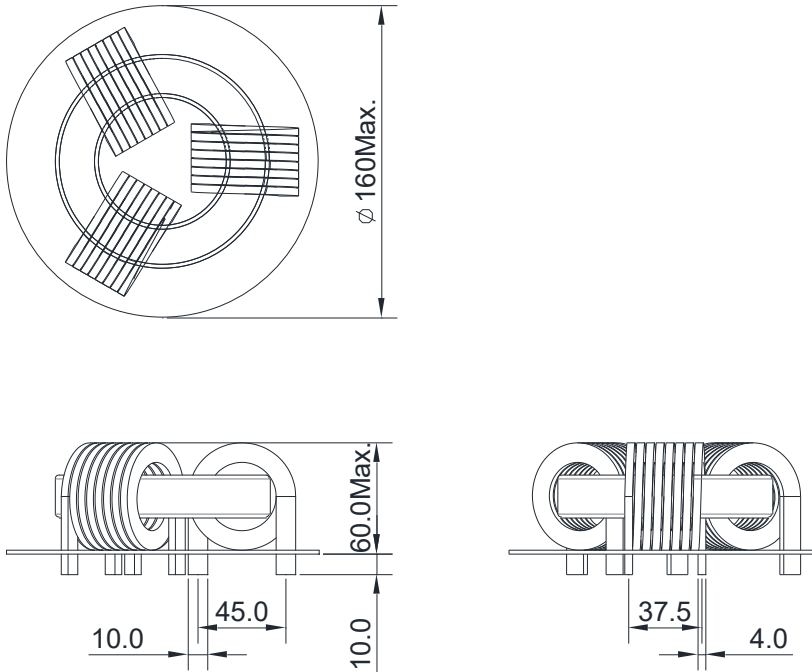


Product Outline

- Three-phase common mode coil for Automotive On-board Charger.
- Ideally used in On-board Charger.
- Wide band has good impedance characteristics, which can effectively suppress high frequency clutter.
- Operating temperature range(Including self temperature rise):-40°C to +125°C.
- Custom design is also available
- RoHS Compliant.

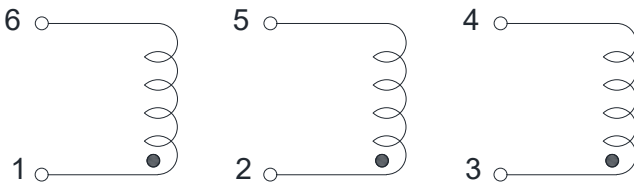


Dimensions (Unit: mm)



Dimensions without tolerance are typical.

Schematics



Electrical Characteristics(at 25°C)

Part Number	Inductance(mH) 10kHz,1V (1-6),(2-5),(3-4)	Rated current ※
CMTR1106622A-A001	3.2±20%	45A Typ.

※ Rated current: The DC current at which the temperature rise is $\Delta T=40^{\circ}\text{C}$ ($T_a=25^{\circ}\text{C}$), measuring pin1 to 4, short pin2,3 and pin5,6.

Customized Product