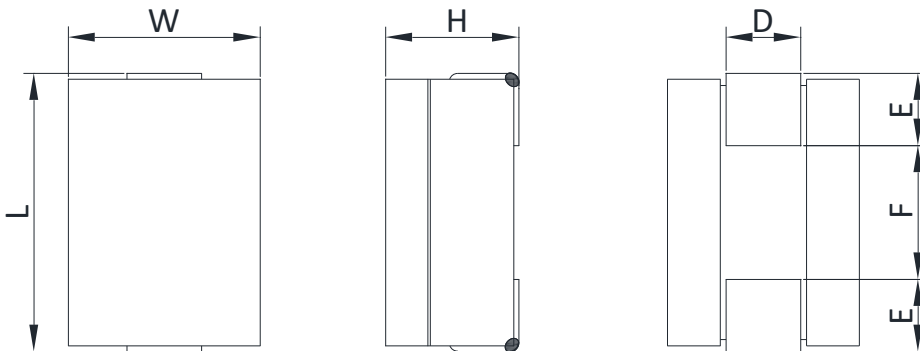


Product Outline

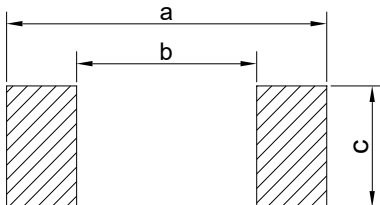
- Shielded construction(Ferrite beads materials).
- For DC/DC converter applications.
- Low DC resistance and high DC current capability.
- Magnetically shielded with low magnetic flux leakage.
- Wide band has good impedance characteristics, which can effectively suppress high frequency clutter.
- It is widely used in power supplier, VTR, OA equipment, LCD television set, Notebook, Portable communication equipment, etc.
- RoHS compliant.



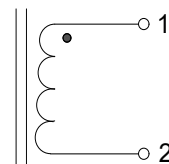
Dimensions



Recommended Land Patterns



Schematics



Unit: mm

Type	L	W	H	D	E	F	a	b	c	Packaging (pcs/reel)
CLB100705	10.5±0.5	7.2±0.3	5.2 Max.	2.8	2.7	5.0	11.2	4.0	3.0	1000

Dimensions without tolerance are typical.

Electrical Characteristics(at 25°C)

Part Number	Inductance ① (nH)	DCR ② (mΩ)	Isat ③ (A) Typ.			Irms ④ (A) Typ.
			At 25°C	At 85°C	At 125°C	
CLB100705-80NM	80±20%	0.29±10%	90.0	68.0	64.0	41.0
CLB100705-R10M	100±20%	0.29±10%	73.0	62.0	57.0	41.0
CLB100705-R12M	120±20%	0.29±10%	60.0	51.0	48.0	41.0
CLB100705-R15M	150±20%	0.29±10%	47.0	38.0	35.0	41.0
CLB100705-R22M	220±20%	0.29±10%	33.0	28.0	26.0	41.0

Note:

- ① Inductance tested at 100kHz, 1.0V using an Agilent/HP 4192A or equivalent.
- ② DCR measured on a micro-ohmmeter.
- ③ Saturation current (Isat): The DC current at which the inductance decreases by 30% of its initial value.
- ④ Temperature rise current (Irms): The DC current at which temperature rise is $\Delta T=40^{\circ}\text{C}$ ($T_a=25^{\circ}\text{C}$).

All specifications are subject to change without notice.